

GLOBAL STYLE SAFETY LIMIT SWITCHES (METAL BODIED EN50047 TYPE) DT4 CONNECTOR LIMIT SWITCHES SN(D)4 SN(D)6 SERIES

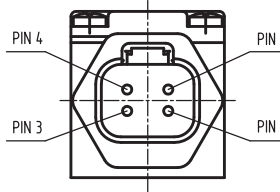
Features

- DT4 Connector reducing installation time
- Eliminating parts normally associated with the assembly of a pigtail connector
- O-ring Seal for IP67 protection
- Earth grounding surface on same level as switching
- Easily interchangeable contact block
- Fine adjustment of switching point via adjusting screw
- Galvanically separated contacts
- Screw terminals with self-lifting clamps for easy wiring
- Positive Opening of NC contacts
- 4 x 90° actuator positions

Specifications

Operating Speed	0.05mm-2m/sec
Operating Frequency	Mechanical: 120ops/min Electrical: 30 ops/min
Insulation Resistance	>100MΩ@500V DC
Contact Resistance	<25mΩ (initial value)
Rated Thermal Current	10A/600V AC (EN60947-5-1)
	UL/cUL Listed (E216958) AC15 A600 / DC13 Q300
Dielectric Strength	1000VAC for 1 min between current carrying parts 2500VAC for 1 min between non-current carrying parts
Service Life	Mechanically 1 x 10 ⁷ (operations) Electrically 5 x 10 ⁵ (operations)
Operating Temperature	-25~+80°C (-13~176°F) with no icing
Humidity	< 95%RH
Degree of Protection	IP67

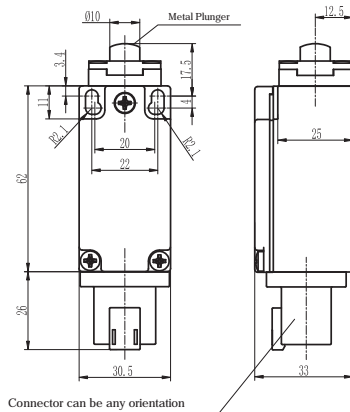
Connector* Picture and Wiring:



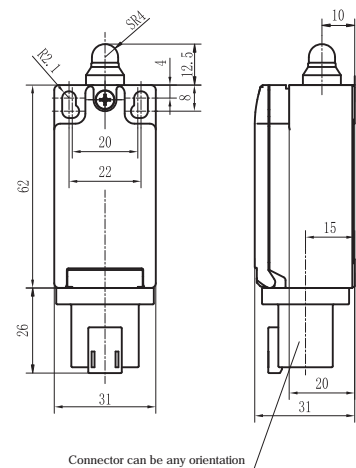
PIN #	TERMINAL BLOCK
1	14
2	22
3	21
4	13

*Compatible with all SUNS SN(D)4 SN(D)6 Limit Switches
To order, just add DT4 as the suffix to the desired model

SN4111 DT4



SND4111 DT4

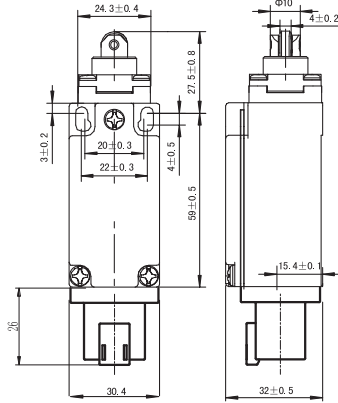


Order Code	Contact block			
SN4111-SP-A DT4	SP	⊕	snap action	1NO+1NC
SN4111-SL-A DT4	SL	⊕	slow action	1NO+1NC BBM
SN4111-SL1-A DT4	SL1	⊕	slow action	1NO+1NC MBB
SN4111-SL2-A DT4	SL2	⊕	slow action	2NC

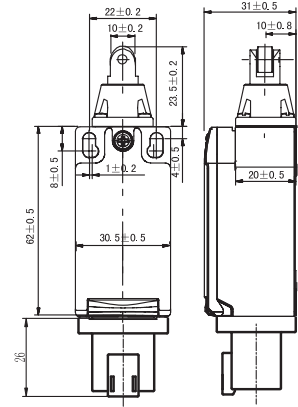
Order Code	Contact block			
SND4111-SP-A DT4	SP	⊕	snap action	1NO+1NC
SND4111-SL-A DT4	SL	⊕	slow action	1NO+1NC BBM
SND4111-SL1-A DT4	SL1	⊕	slow action	1NO+1NC MBB
SND4111-SL2-A DT4	SL2	⊕	slow action	2NC

GLOBAL STYLE SAFETY LIMIT SWITCHES (METAL BODIED EN50047 TYPE) DT4 CONNECTOR LIMIT SWITCHES SN(D)4 SN(D)6 SERIES

SN4112 DT4



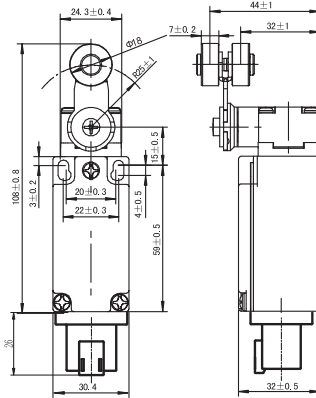
SND4112 DT4



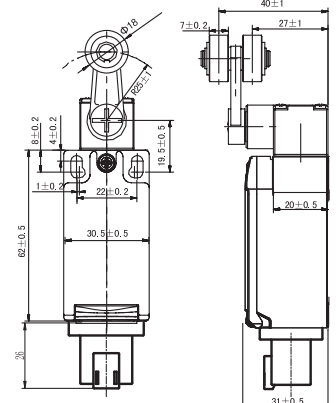
Order Code	Contact block			
SN4112-SP-A DT4	SP	⊕	snap action	1NO+1NC
SN4112-SL-A DT4	SL	⊕	slow action	1NO+1NC BBM
SN4112-SL1-A DT4	SL1	⊕	slow action	1NO+1NC MBB
SN4112-SL2-A DT4	SL2	⊕	slow action	2NC

Order Code	Contact block			
SND4112-SP-A DT4	SP	⊕	snap action	1NO+1NC
SND4112-SL-A DT4	SL	⊕	slow action	1NO+1NC BBM
SND4112-SL1-A DT4	SL1	⊕	slow action	1NO+1NC MBB
SND4112-SL2-A DT4	SL2	⊕	slow action	2NC

SN4104 DT4



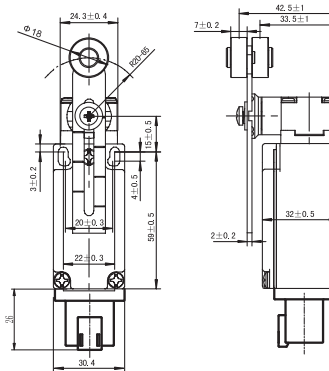
SND4104 DT4



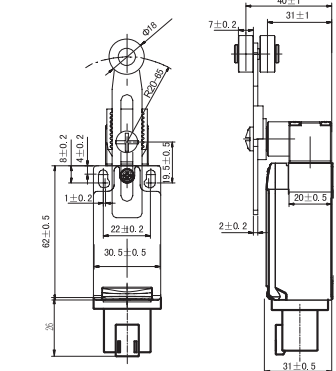
Order Code	Contact block			
SN4104-SP-A DT4	SP	⊕	snap action	1NO+1NC
SN4104-SL-A DT4	SL	⊕	slow action	1NO+1NC BBM
SN4104-SL1-A DT4	SL1	⊕	slow action	1NO+1NC MBB
SN4104-SL2-A DT4	SL2	⊕	slow action	2NC

Order Code	Contact block			
SND4104-SP-A DT4	SP	⊕	snap action	1NO+1NC
SND4104-SL-A DT4	SL	⊕	slow action	1NO+1NC BBM
SND4104-SL1-A DT4	SL1	⊕	slow action	1NO+1NC MBB
SND4104-SL2-A DT4	SL2	⊕	slow action	2NC

SN4108 DT4



SND4108 DT4



Order Code	Contact block			
SN4108-SP-A DT4	SP	⊕	snap action	1NO+1NC
SN4108-SL-A DT4	SL	⊕	slow action	1NO+1NC BBM
SN4108-SL1-A DT4	SL1	⊕	slow action	1NO+1NC MBB
SN4108-SL2-A DT4	SL2	⊕	slow action	2NC

Order Code	Contact block			
SND4108-SP-A DT4	SP	⊕	snap action	1NO+1NC
SND4108-SL-A DT4	SL	⊕	slow action	1NO+1NC BBM
SND4108-SL1-A DT4	SL1	⊕	slow action	1NO+1NC MBB
SND4108-SL2-A DT4	SL2	⊕	slow action	2NC